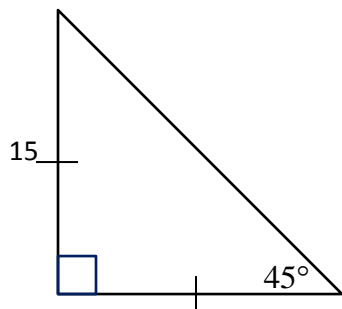


Working With Special Right Triangles

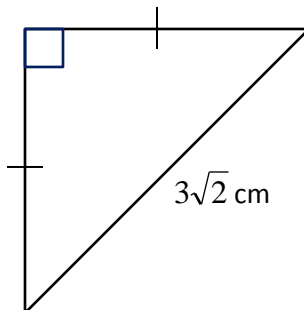
For each diagram find the missing sides, the perimeter and the area of each:

1.



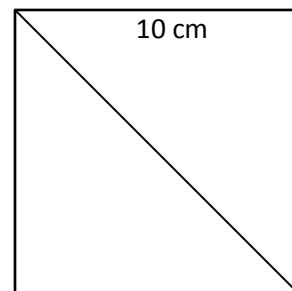
Area:
Perimeter:

2.



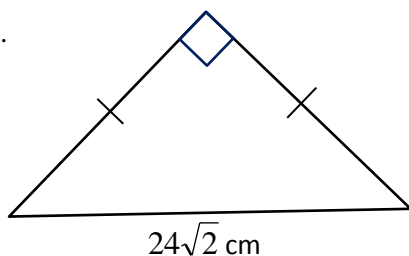
Area:
Perimeter:

3. The figure is a square:



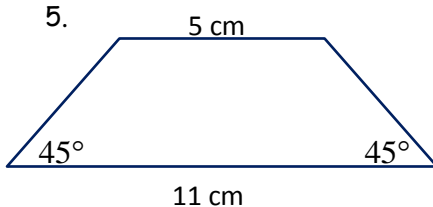
Area:
Perimeter:

4.



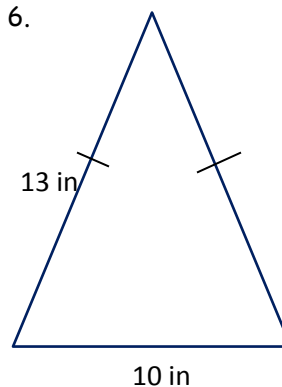
Area:
Perimeter:

5.



Area:
Perimeter:

6.



Area:
Perimeter:

7. A 20 ft ladder just reaches a window 18 ft above the ground. How far is the foot of the ladder from the wall of the house? (Draw a diagram)

8. Armando needs to paint one side of his house. How many square feet will he paint?

If one gallon of paint covers 175 ft^2 how many gallons should he buy?

If each gallon costs \$23.00 how much will the project cost?

